

clee 4U format Gain Sequencer module

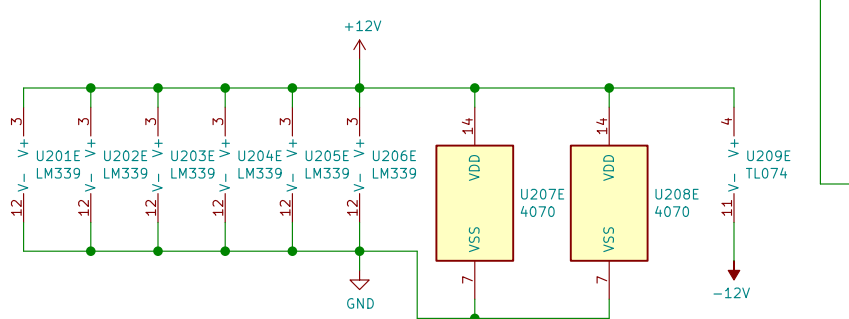
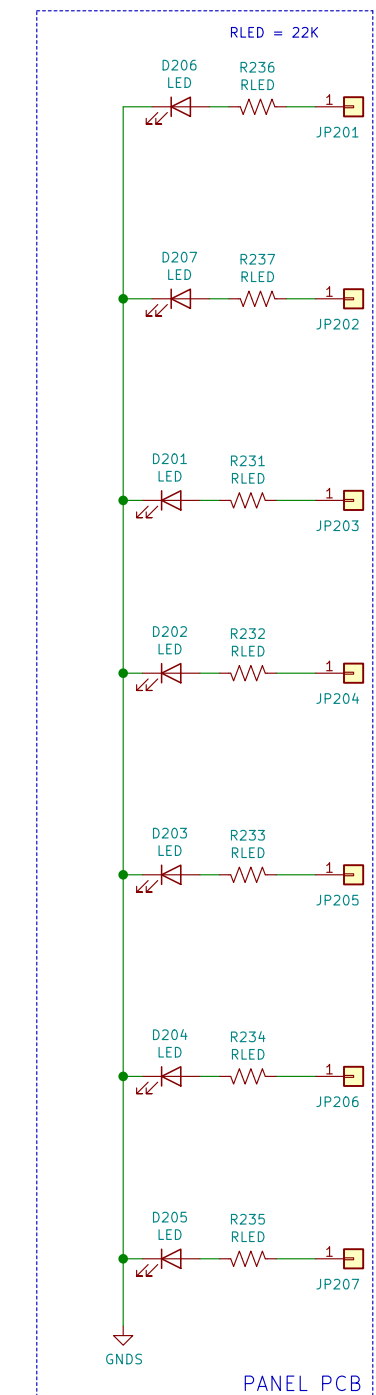
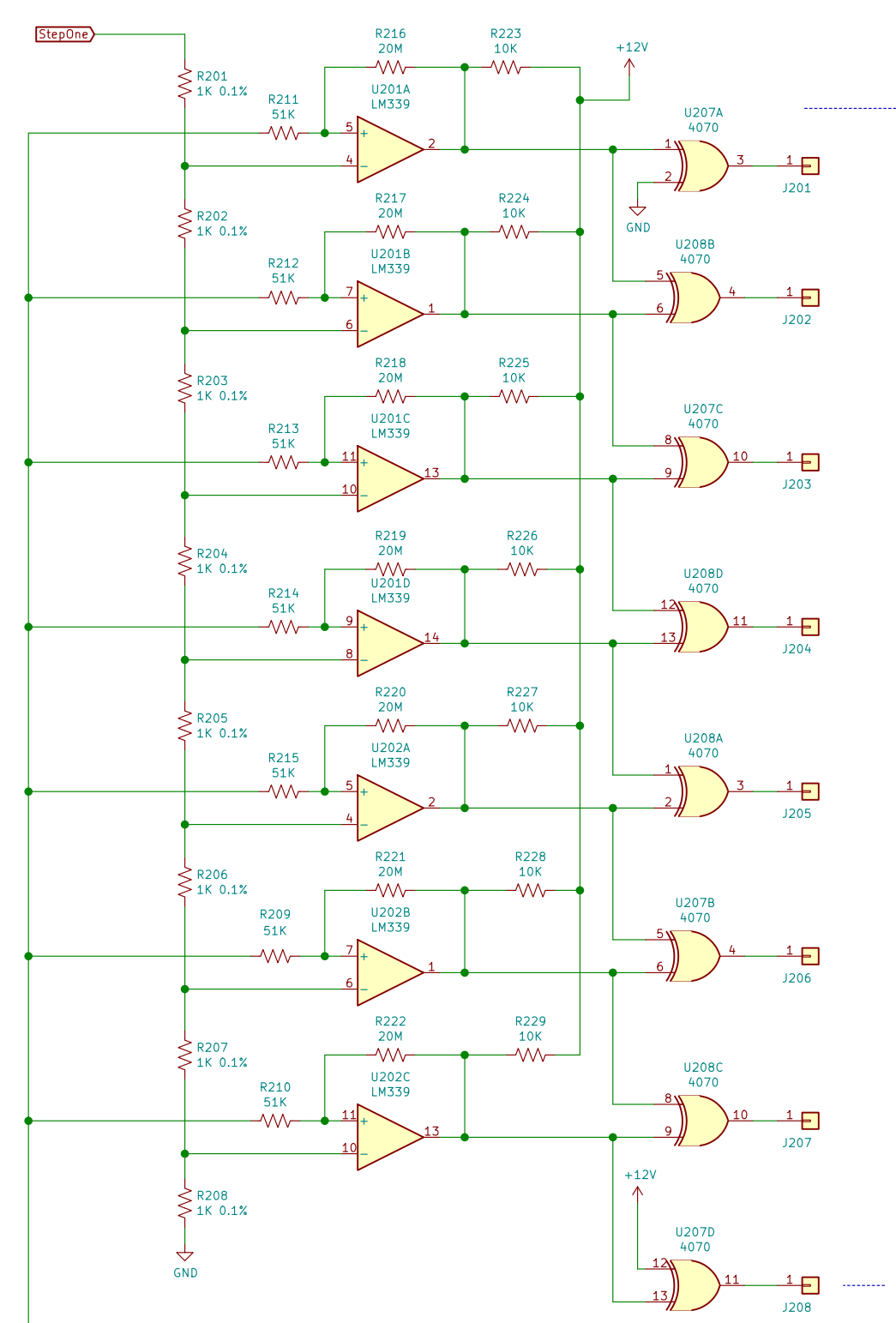
** NOTES:
 NF = not fitted
 BP = 100n ceramic bypass capacitor

Sheet: /
 File: FGS.A.sch

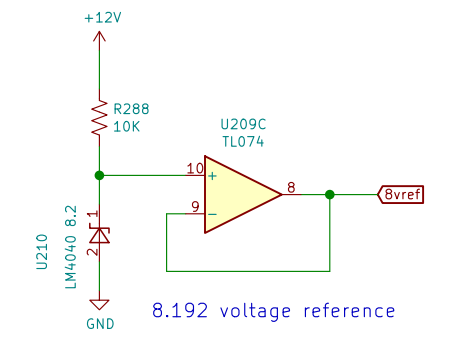
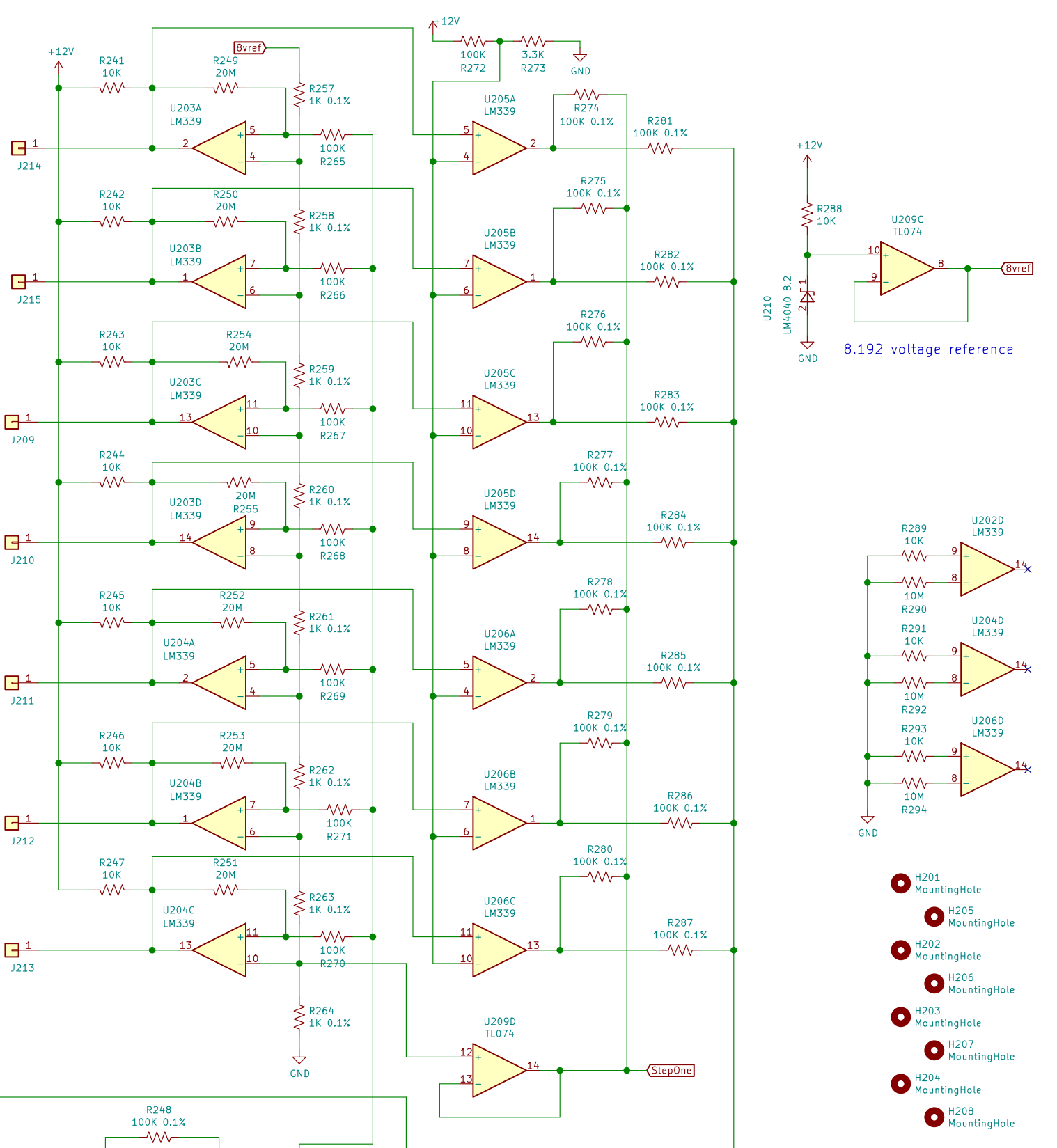
Title: Looping Gain Sequencer

Size: USLedger Date: Nov 21, 2024
 KiCad E.D.A. kicad (5.1.2-1)-1

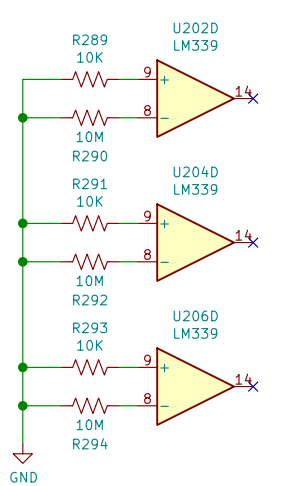
Rev: 1.0
 Id: 1/3



LEVEL DETECTORS



8.192 voltage reference



- H201 MountingHole
- H205 MountingHole
- H202 MountingHole
- H206 MountingHole
- H203 MountingHole
- H207 MountingHole
- H204 MountingHole
- H208 MountingHole

clee 4U format Gain Sequencer module

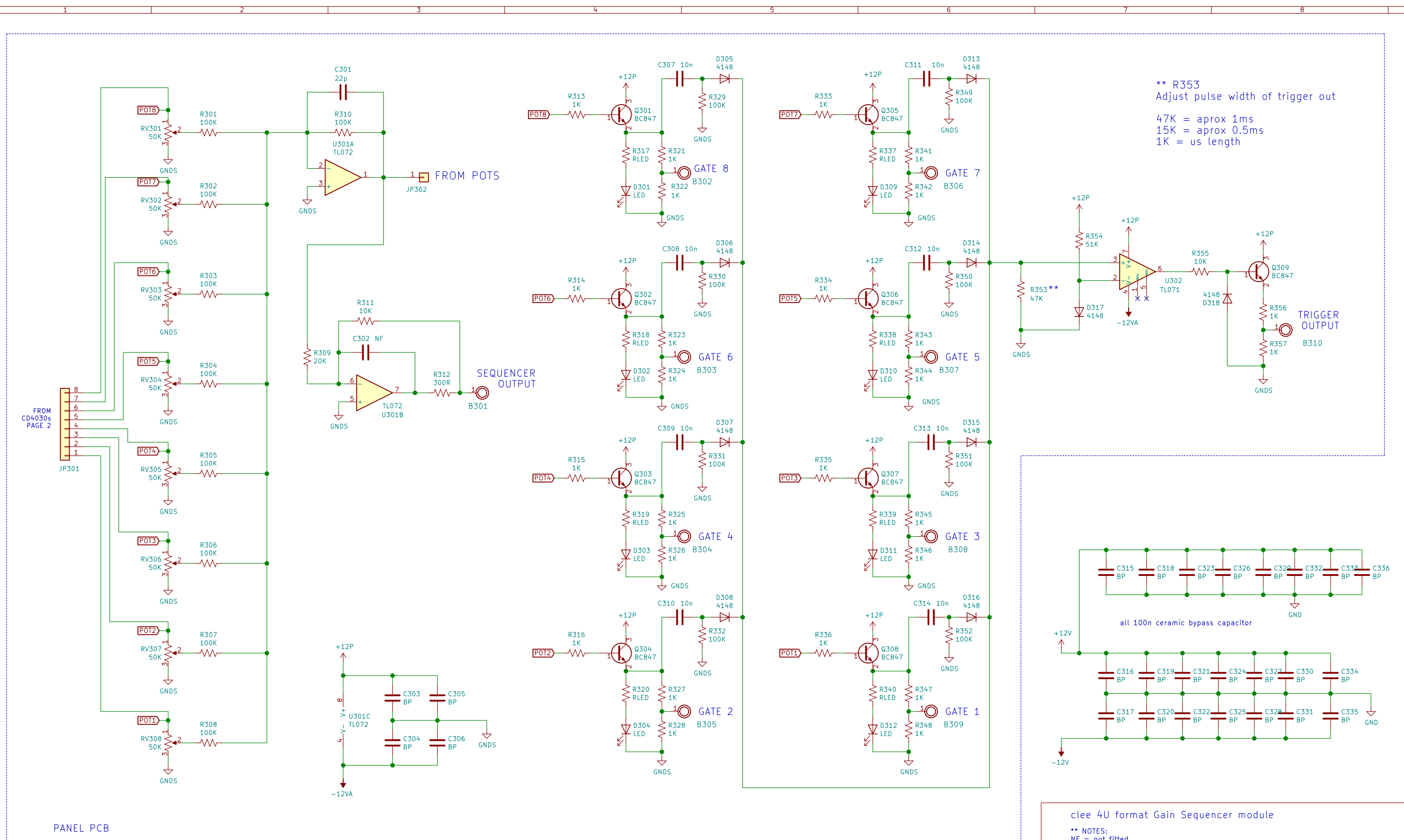
** NOTES:
 NF = not fitted
 BP = 100n ceramic bypass capictor

Sheet: /Page 2/
 File: Page 2.sch

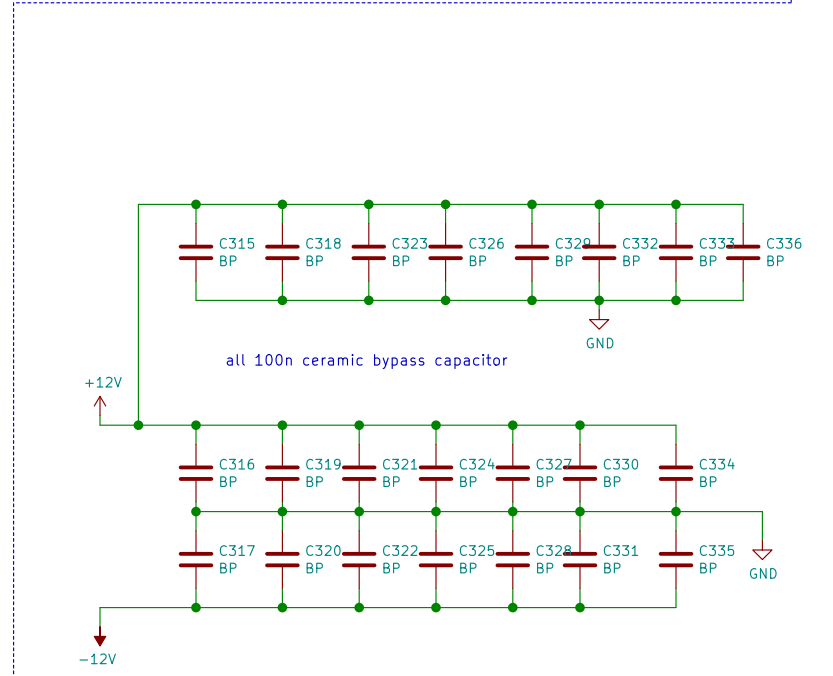
Title: Looping Gain Sequencer

Size: USLdger Date: Nov 21, 2024
 KiCad E.D.A. kicad (5.1.2-1)-1

Rev: 1.0
 Id: 2/3



** R353
Adjust pulse width of trigger out
47K = aprox 1ms
15K = aprox 0.5ms
1K = us length



PANEL PCB

SEQUENCER

clee 4U format Gain Sequencer module

** NOTES:
NF = not fitted
BP = 100n ceramic bypass capacitor