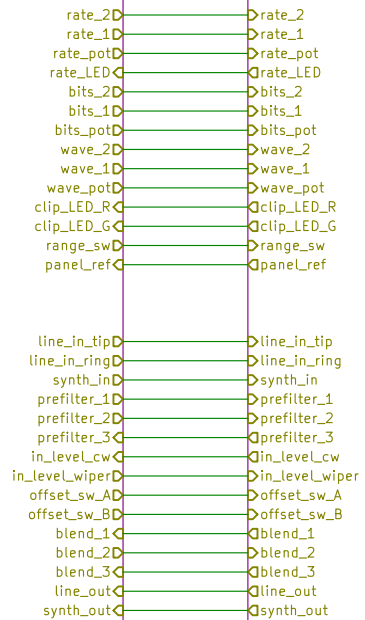


Panel_PCB

Main_PCB



panel.sch

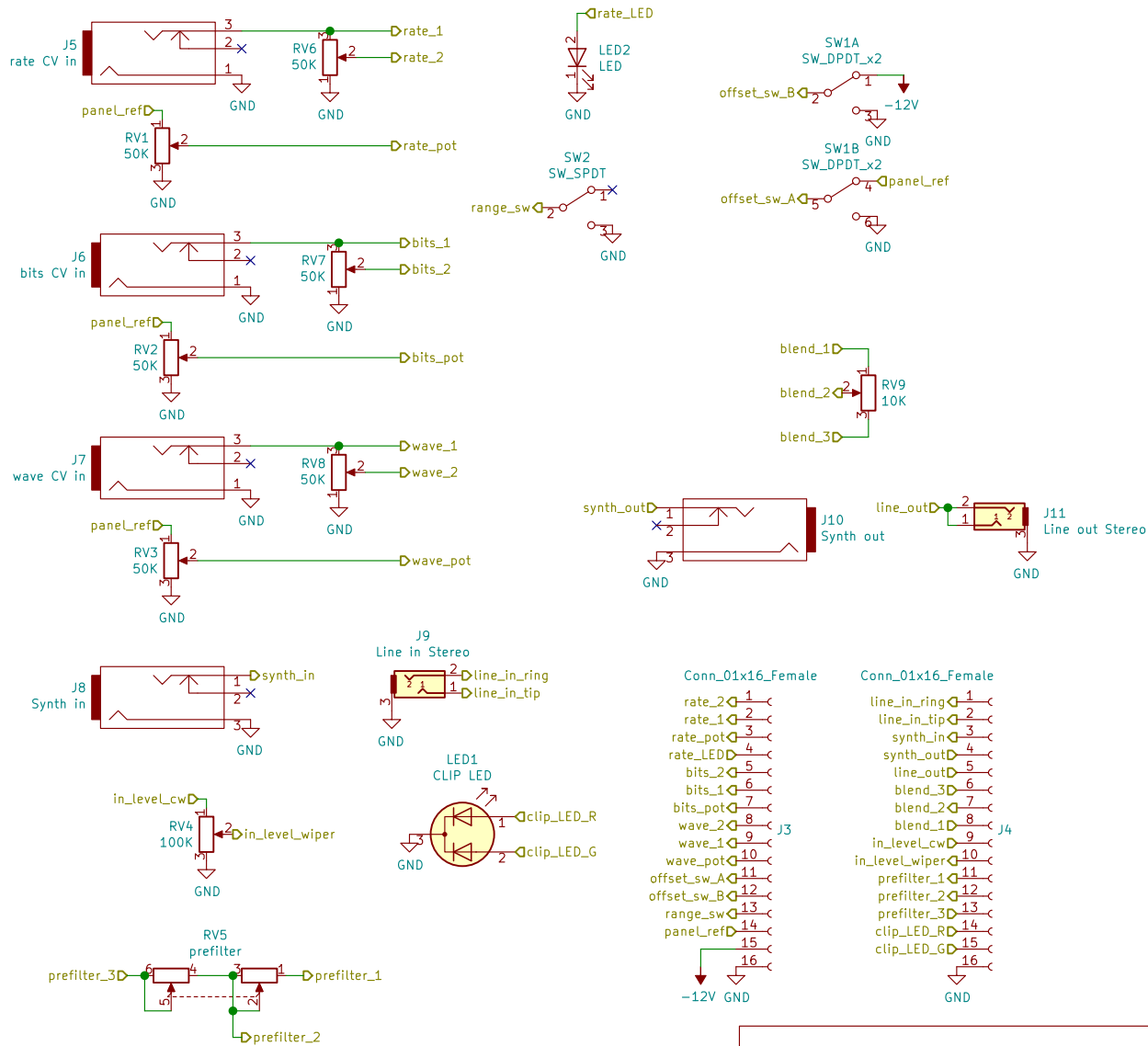
main.sch

Sheet: /
File: clee-bits.sch

Title:

Size: A4 Date:
KiCad E.D.A. kicad (5.0.0-rc2-24-g81af2db)

Rev:
Id: 1/5

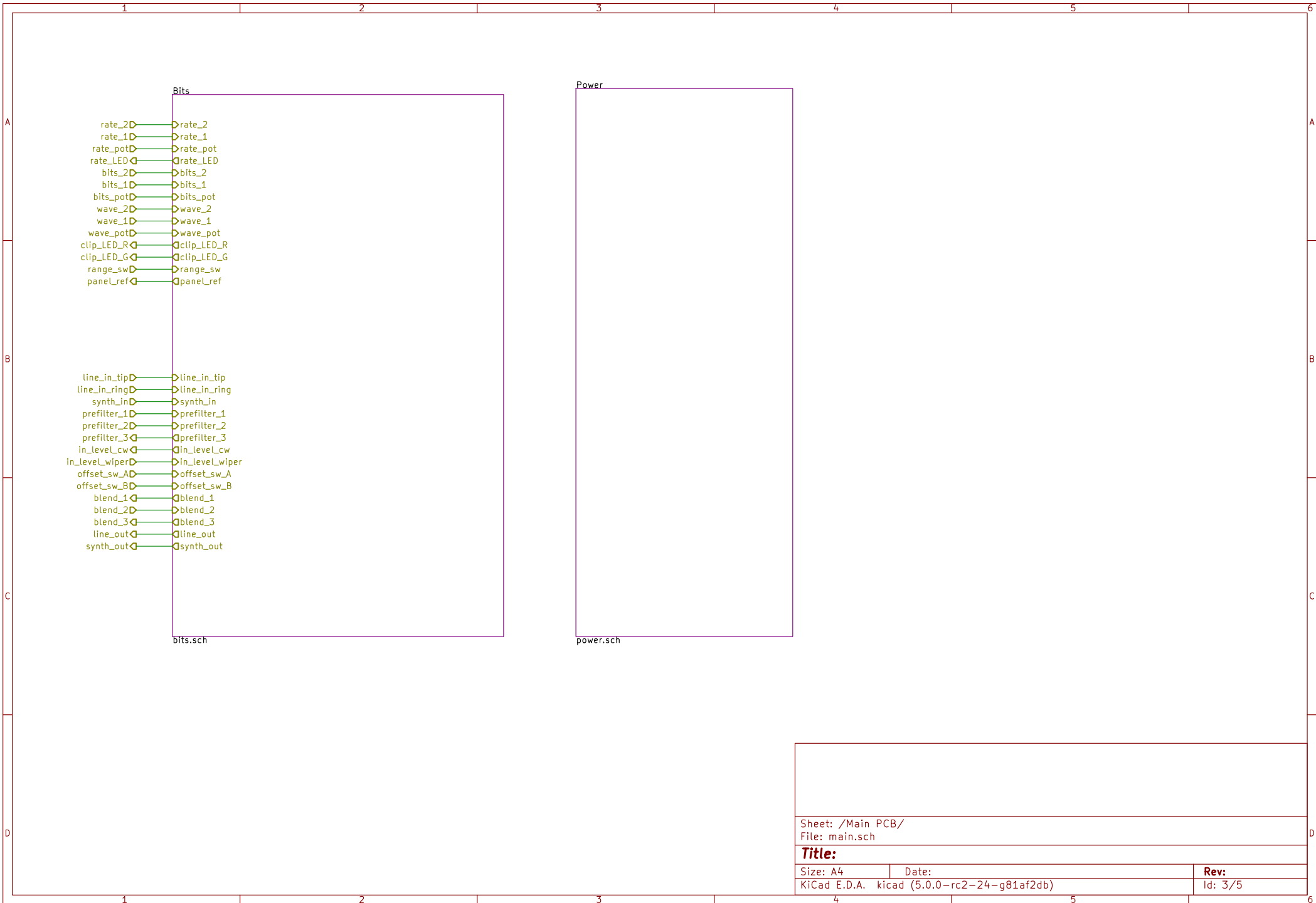


Sheet: /Panel PCB/
File: panel.sch

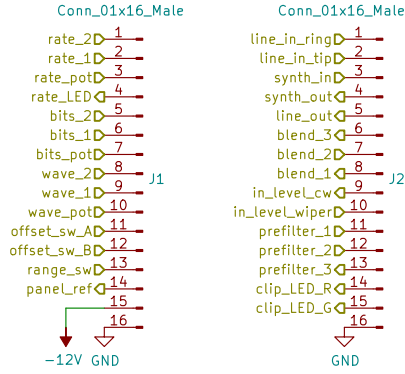
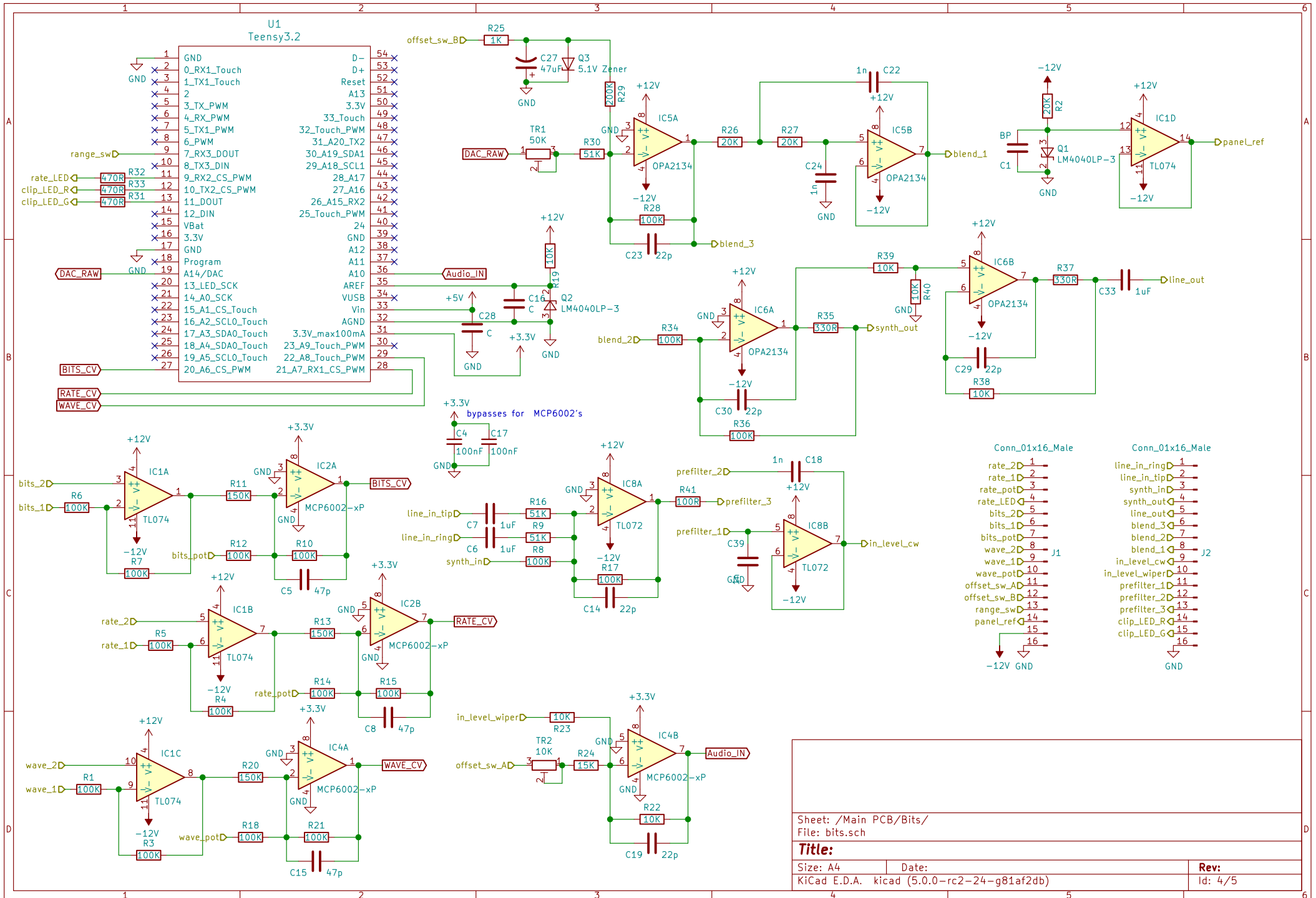
Title:

Size: A4 Date:
KiCad E.D.A. kicad (5.0.0-rc2-24-g81af2db)

Rev:
Id: 2/5



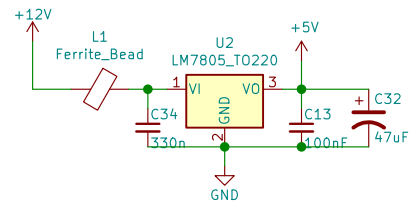
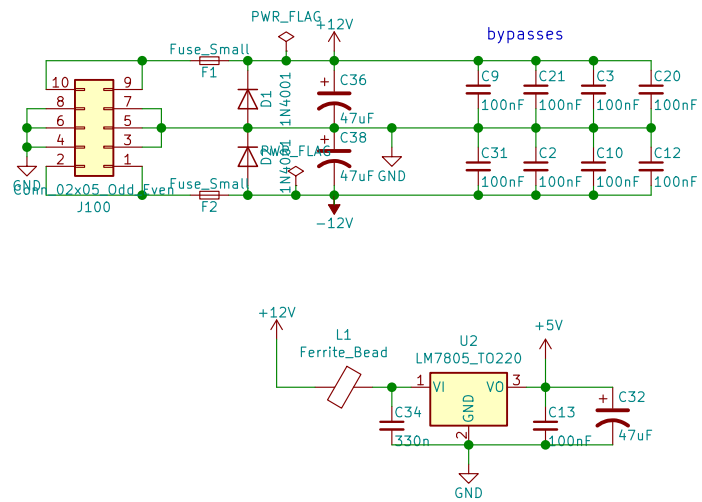
Sheet: /Main PCB/ File: main.sch		
Title:		
Size: A4	Date:	Rev:
KiCad E.D.A. kicad (5.0.0-rc2-24-g81af2db)		Id: 3/5



Sheet: /Main PCB/Bits/
 File: bits.sch

Title:

Size: A4	Date:	Rev:
KiCad E.D.A. kicad (5.0.0-rc2-24-g81af2db)		Id: 4/5



Sheet: /Main PCB/Power/
File: power.sch

Title:

Size: A4 Date:
KiCad E.D.A. kicad (5.0.0-rc2-24-g81af2db)

Rev:
Id: 5/5